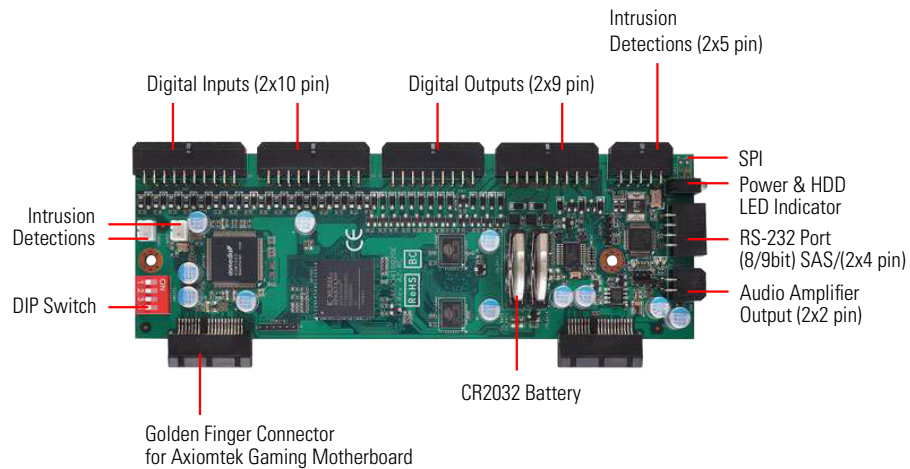


# AX93410

Multiple I/O module for Axiomtek Gaming Platform

## Features

- Open-drain outputs for lamps
- High current outputs
- Supports 9-bit serial port for SAS 6.02
- Up to 16 MB battery backup NVRAM
- Lifetime long-term supply



## System

Host Communication Interface	PCI-Express x1
Battery Backed RAM	Optional 4MB/8MB/16MB
Power Supply	12V, 5V, 3.3V
Dimensions	170 mm x 55 mm
Operating Temperature	0 °C to 60 °C (32 °F to 140 °F)
Humidity	10 % to 90 %, non-condensing

## I/O

Input	32-ch 3V CMOS input
Output	29-ch output (8-ch meter configurable) - Output type: open drain power MOSFET driver - Output driving capacity: 1A/30V 3-ch output - Output type: Open drain power MOSFET driver - Output driving capacity: 3A/30V
LED strip control (optional)	- 1ch LED strip support - Support up to 200 LED
Serial Communication Port	2 x 9-bit serial port supports SAS or simple COM
Intrusion	8 x intrusion detection logs date/time of last 200 events
Switch	4-bit DIP switch for counter
Audio	Audio amplifier function supports via motherboard
LED Indicators	3.3 power activation, serial port activation



## Software

OS	Windows® 11 64-bit, Windows® 10 64-bit, Linux
----	--

## Ordering Information

AX93410-4MB (P/N: E393410100)	Multiple I/O module with 4 MB SRAM,32-ch output, intrusion, serial port
AX93410-8MB (P/N: E393410101)	Multiple I/O module with 8 MB SRAM,32-ch output, intrusion, serial port
AX93410-16MB (P/N: TBD)	Multiple I/O module with 16 MB SRAM,32-ch output, intrusion, serial port

\*AX93410 I/O module connect to motherboard jumper setup is require, please refer to related motherboard user manual.

## Supported Motherboards

Intel	GMB850	12th/13th Gen. Alder Lake-S/Raptor Lake-S Intel® Core™ Mini-ITX Board
	GMB830	8th/9th Gen. Coffee Lake-S/Coffee Lake-S Refresh Intel® Core™ Mini-ITX Board
	GMB820	6th/7th Gen. Skylake-S/Kaby Lake-S Intel® Core™ Mini-ITX Board
AMD	GMB142	AMD Ryzen™ Embedded R2000 Series APU Mini-ITX Board
	GMB140	AMD Ryzen™ Embedded V1000/R1000 Series APU Mini-ITX Board